

Simultaneous P removal and recycling with Polonite® multipurpose reactive filters

Biotech's filter media Polonite:

- Simultaneous adsorption and recycling of phosphorus
- World's most efficient phosphorus filter
- Effective antibacterial properties
- Applicable to all sources of phosphorus leakage

Polonite is produced from natural occurring Opoka. It is based on 20 years of research at KTH, the Royal Institute of Technology in Stockholm.

Removal

Polonite is capable of initially removing 100% of phosphorus from treated wastewater in new installations. Long run removal is customized according to local regulations.

Recycling

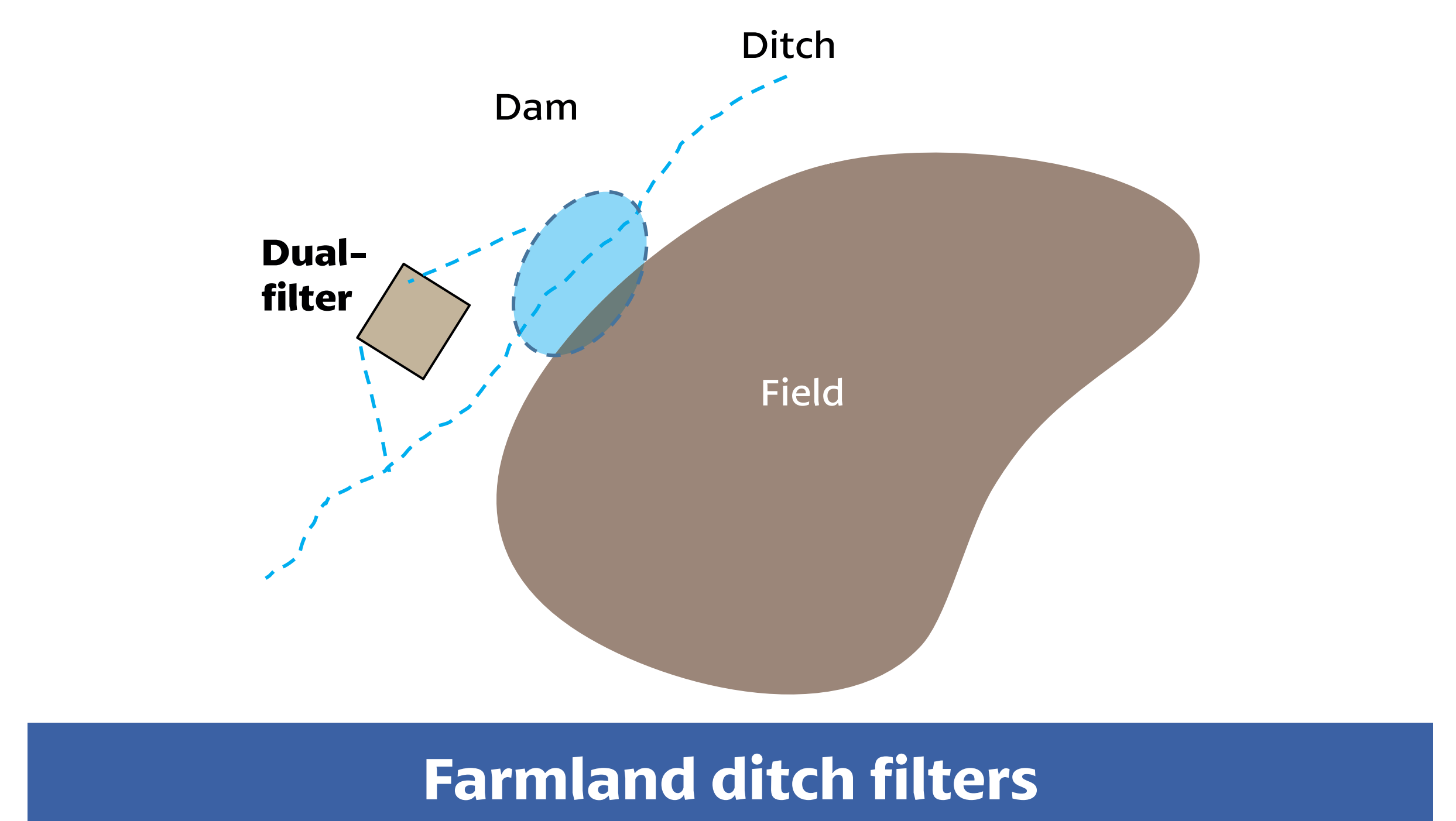
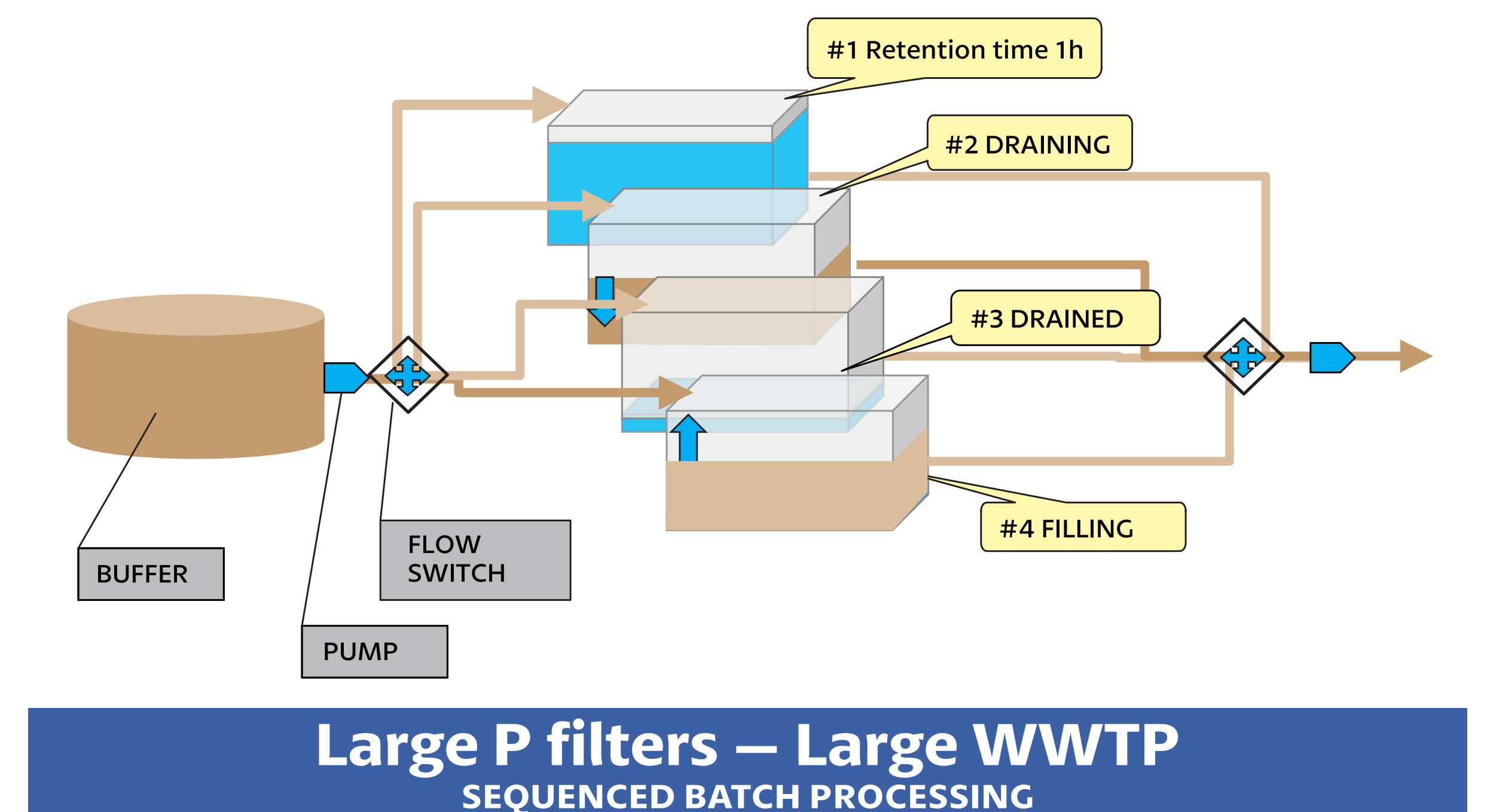
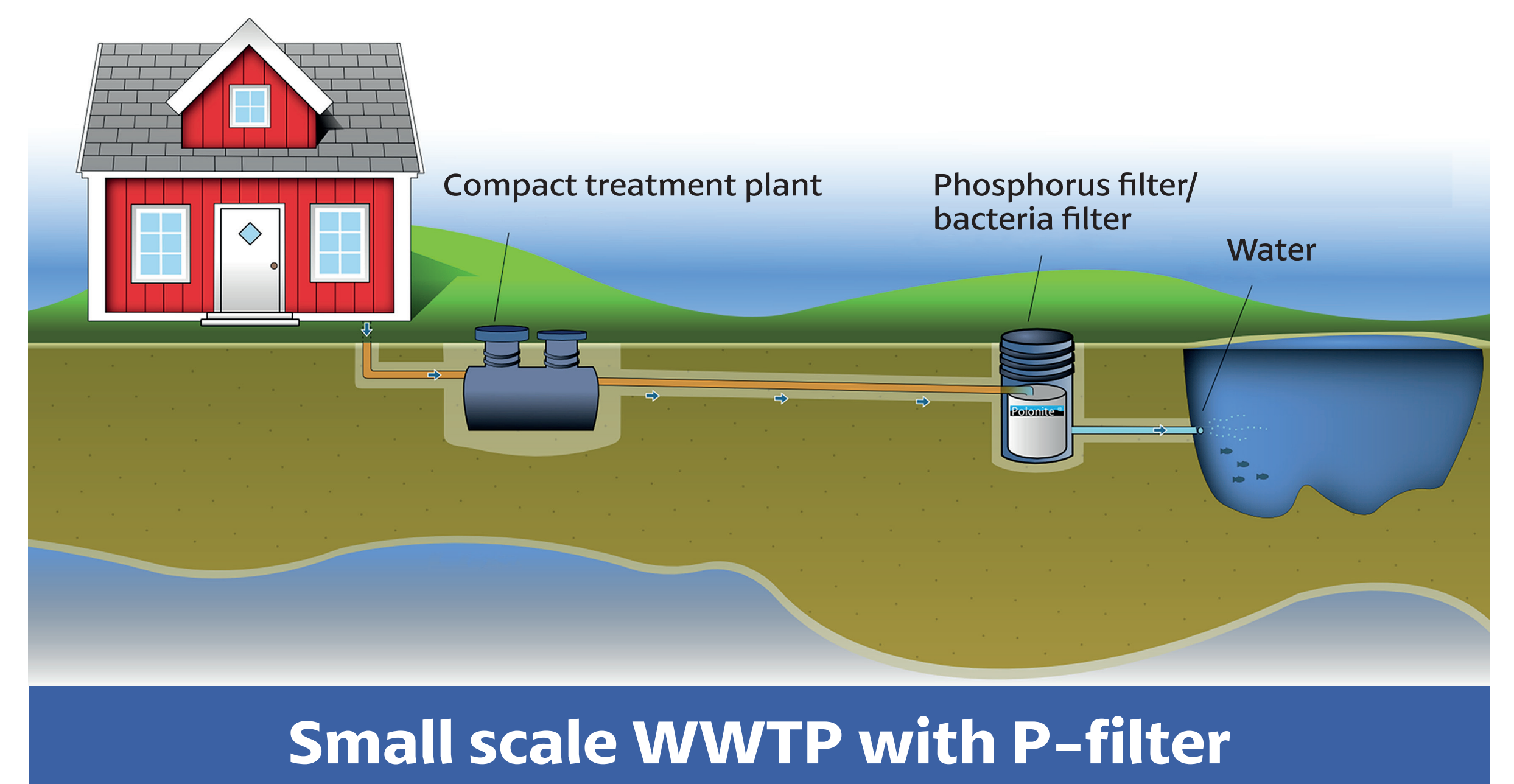
Polonite does not require special treatment before the used material is spread as soil improver. It is thereby the easiest available technology to achieve a closed-loop for phosphorus.

Benefits

Biotech's filter media are cost-effective, flexible and modular, allowing it to be configured for a wide range of needs. Practical applications have a minimal need of electricity, mechanical parts and maintenance.

Applications

Small filters for individual houses and scattered settlements, large filters for municipal and industrial sewage and customized filters for farmland and animal farms.



Pilot project at Russian Chicken Farm

To reduce eutrophication in the Baltic Sea, filters from Biotech will adsorb and recycle phosphorus runoff from a Russian chicken farm. The project is the first step in developing a turnkey product solution for agricultural application.

